

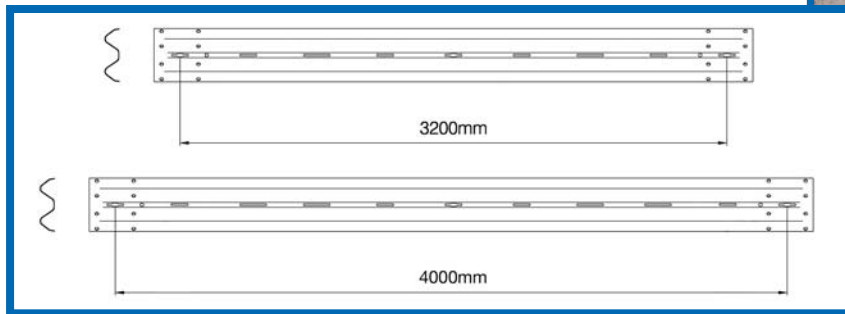
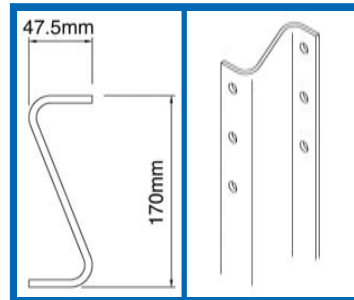
# FLEXBEAM PLUS

UNTENSIONED CORRUGATED BARRIER SYSTEM

we protect, prevent and guide ...

**FLEXBEAM PLUS** is a further development of the well known brand **FLEXBEAM** from Hill & Smith.

- **NEW** post profiles
- **NEW** bolts
- **NEW** material grades
- **NEW** range of post centres
- Fewest component parts
- Only two beam lengths
- Seamless transition
- Rapid assembly
- Low maintenance - untensioned
- EN1317 approved



**EN1317 APPROVED**



| Working width | Category | Beam length | Post centres |
|---------------|----------|-------------|--------------|
| N2 W2         | SS       | 3.2 / 4.0m  | 2.0m         |
| H1 W4         | SS       | 4.0m        | 2.0m         |
| H2 W5         | SS       | 4.0m        | 2.0m         |